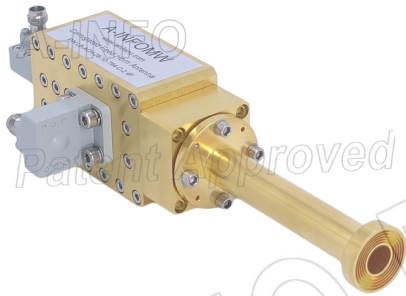


For reference only. See data sheet for the detailed specifications.

## Technical Specification



Frequency Range(GHz)	22.5 – 45.0	
Waveguide	WR28	
Gain(dBi)	10 Typ.	
Polarization	Dual Linear	
3dB Beamwidth(deg)	E Plane:	64 Typ.
	H Plane:	61 Typ.
10dB Beamwidth(deg)	E Plane:	107 Typ.
	H Plane:	107 Typ.
Cross Pol. Isolation(dB)	35 Typ.	
Port to Port Isolation(dB)	45 Typ. ; 35 Min.	
VSWR	A Type:	1.8:1 Typ.
	C Type:	2.0:1 Typ.
Output	A Type:	FBP320(UBR320) (Modified with 4xM3 D3)
	C Type:	2.4mm-Female or 2.92mm-Female
Material	Cu	
Finish	Gold Plated, Gary Paint	
Size(mm)	A Type:	28.6 x 38.1 x 154.3
	C Type:	51.4 x 38.1 x 177.1
Net Weight(Kg)	A Type:	0.27 Around
	C Type:	0.34 Around

**PATENT ID (US)**
**US 11031692, US 10871511**
**PATENT ID (China)**
**ZL202020593280.2, ZL202020594309.9  
ZL202120369753.5, ZL202220615760.3, ZL202130553080.4**
**AINFO Inc.**

China(Beijing):  
China(Chengdu):  
USA :

Tel: (+86) 10-6266-7326,  
Tel: (+86) 28-8519-2786,  
Tel: (+1) 949-639-9688,

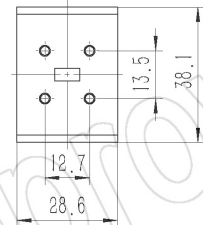
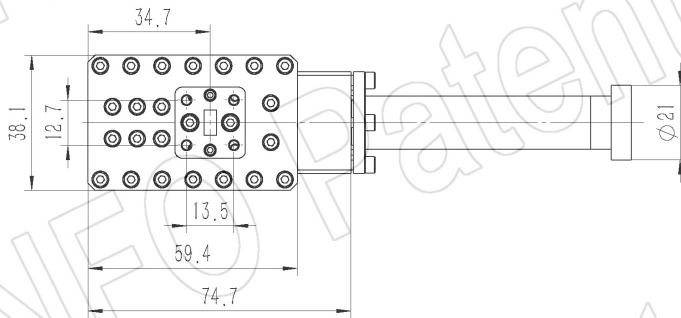
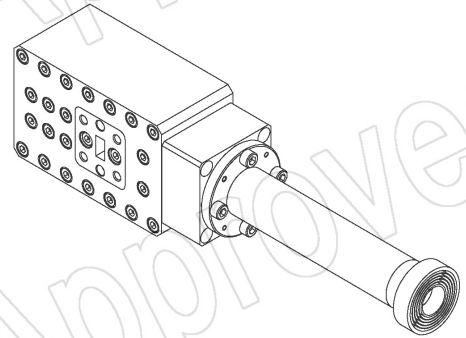
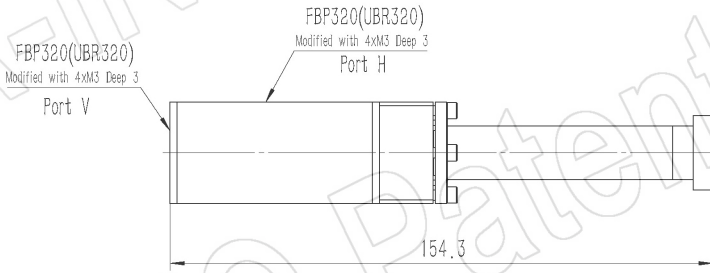
(+86) 10-6266-7327  
(+86) 28-8519-3044  
(+1) 949-639-9608

Fax: (+86) 10-6266-7379  
Fax: (+86) 28-8519-3068  
Fax: (+1) 949-639-9670

Website: [www.ainfoinc.com](http://www.ainfoinc.com)  
Email: [sales@ainfoinc.com](mailto:sales@ainfoinc.com)

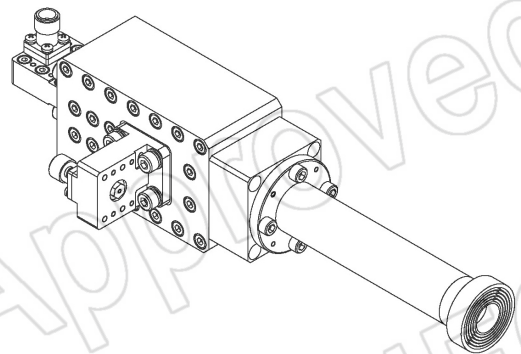
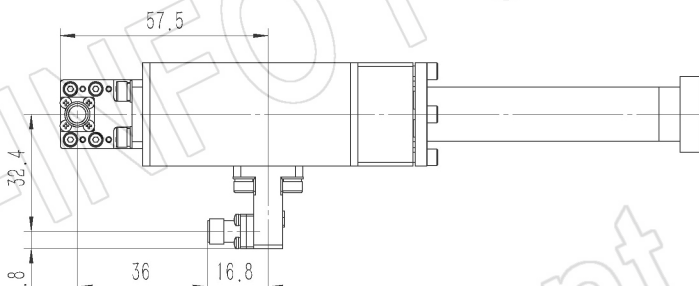
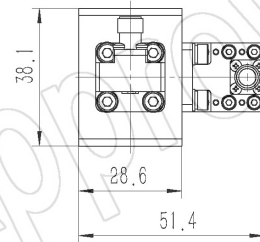
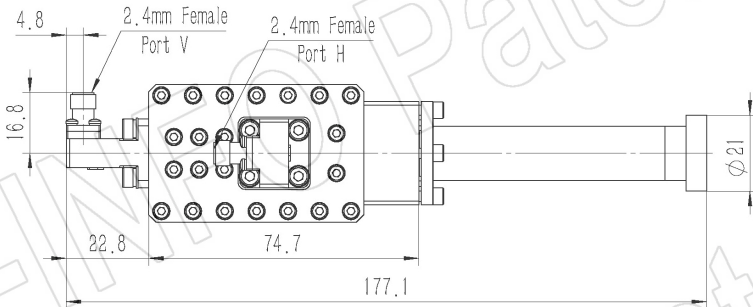
## Outline Drawing (Size: mm)

### FBP320 Output (P/N: LB-ACH-28-10-T64-A)

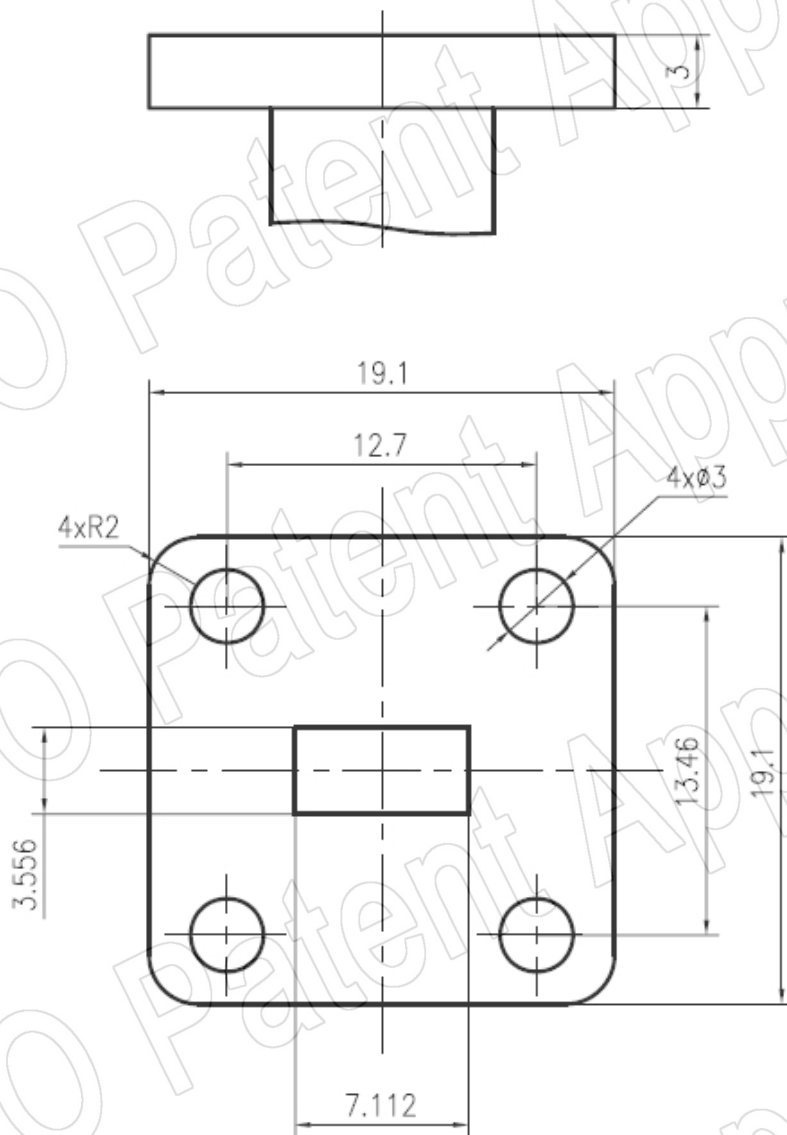


### 2.4mm-Female Output (P/N: LB-ACH-28-10-T64-C-2.4F)

For 2.92mm-Female output outline drawing, please contact A-INFO.



## Flange Drawing (Size: mm)



FBP320

### AINFO Inc.

China(Beijing):  
China(Chengdu):  
USA :

Tel: (+86) 10-6266-7326,  
Tel: (+86) 28-8519-2786,  
Tel: (+1) 949-639-9688,

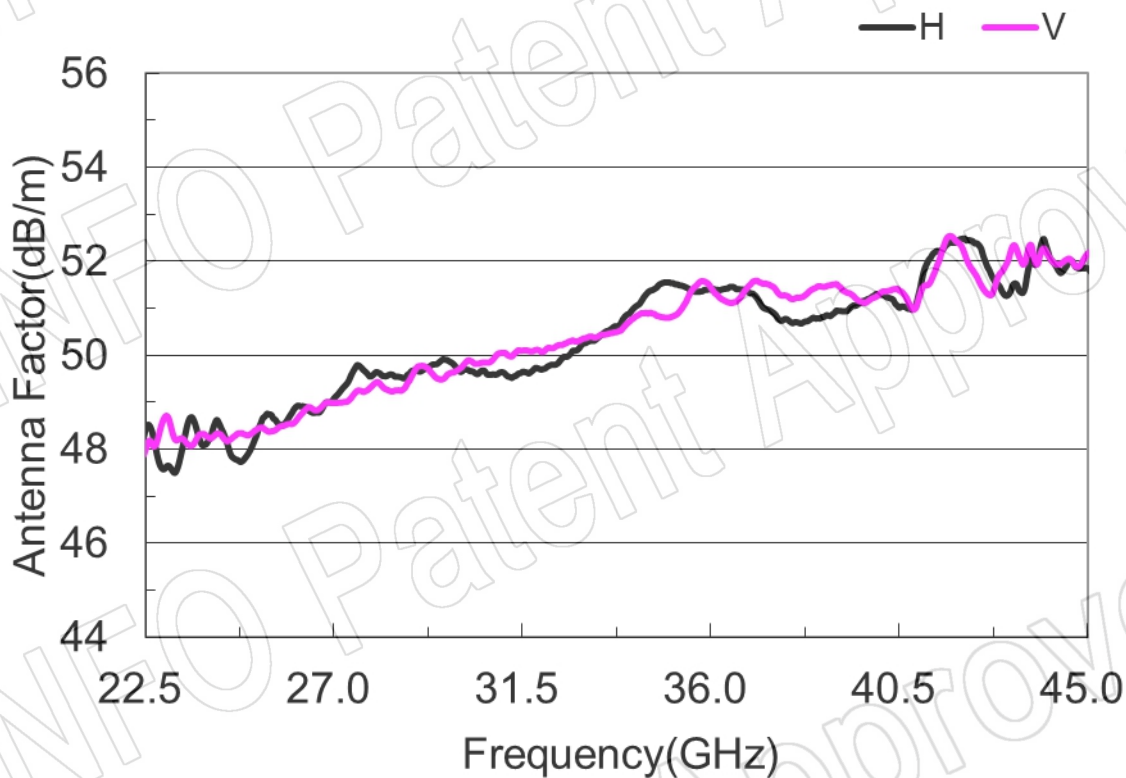
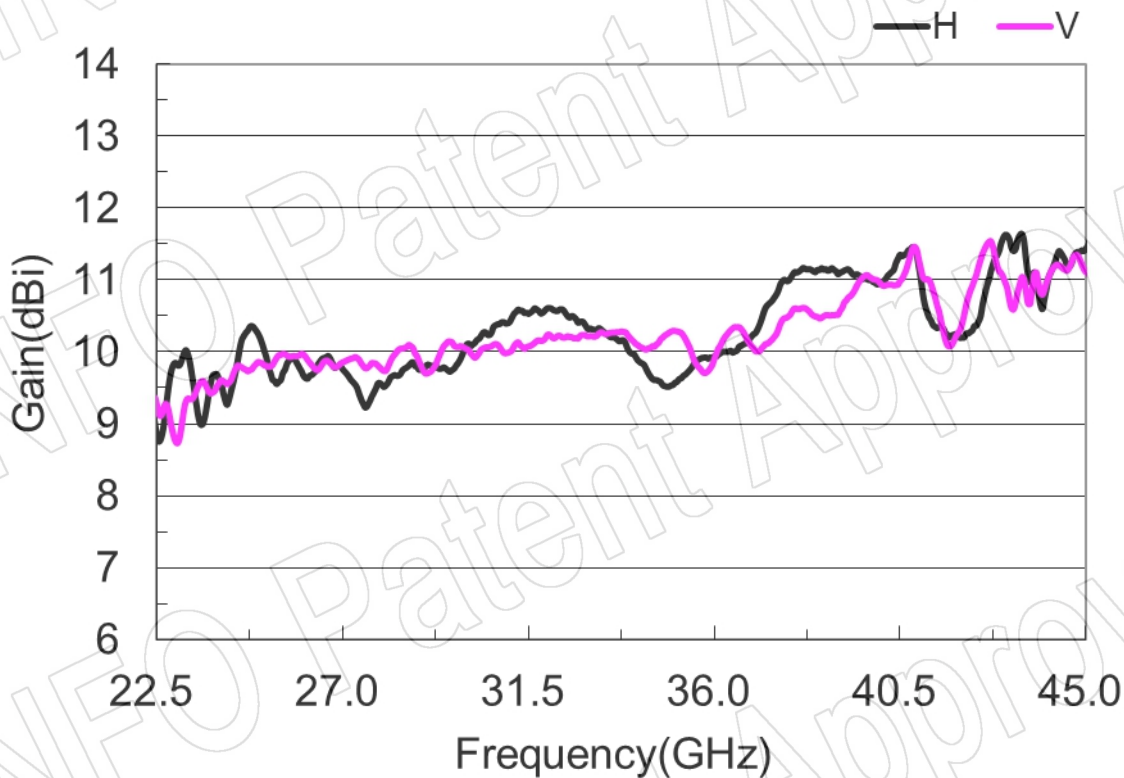
(+86) 10-6266-7327  
(+86) 28-8519-3044  
(+1) 949-639-9608

Fax: (+86) 10-6266-7379  
Fax: (+86) 28-8519-3068  
Fax: (+1) 949-639-9670

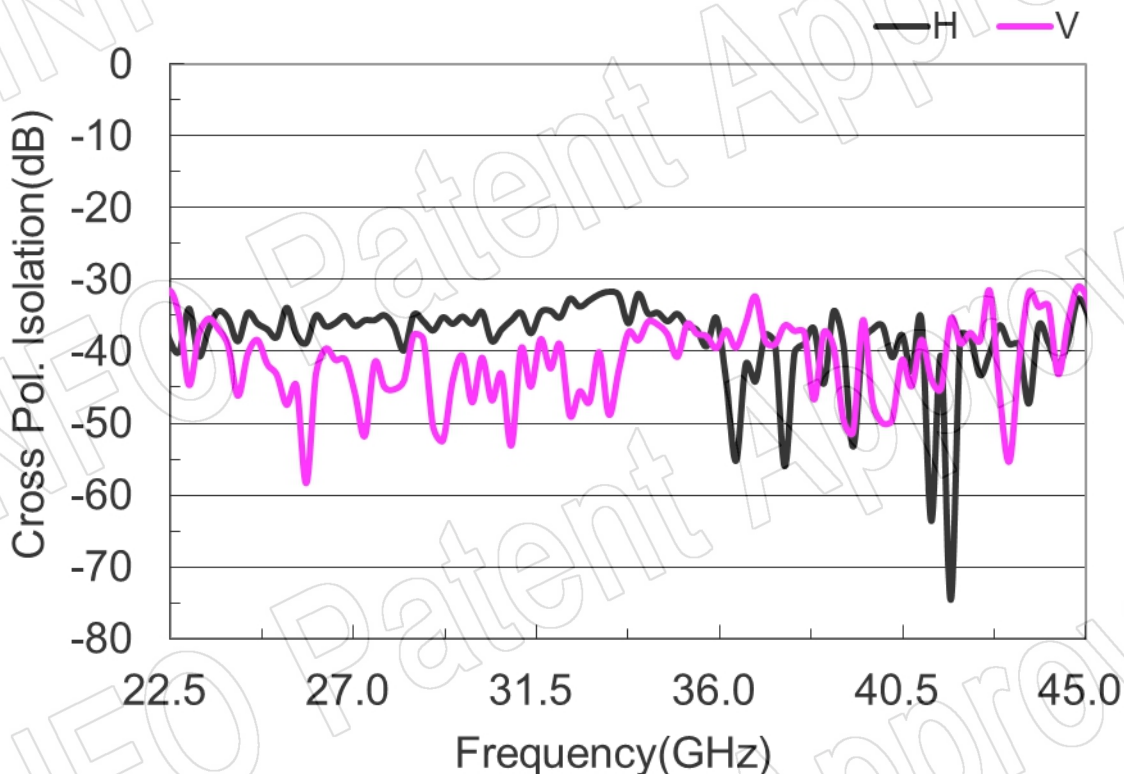
Website: [www.ainfoinc.com](http://www.ainfoinc.com)  
Email: [sales@ainfoinc.com](mailto:sales@ainfoinc.com)

## Test Results

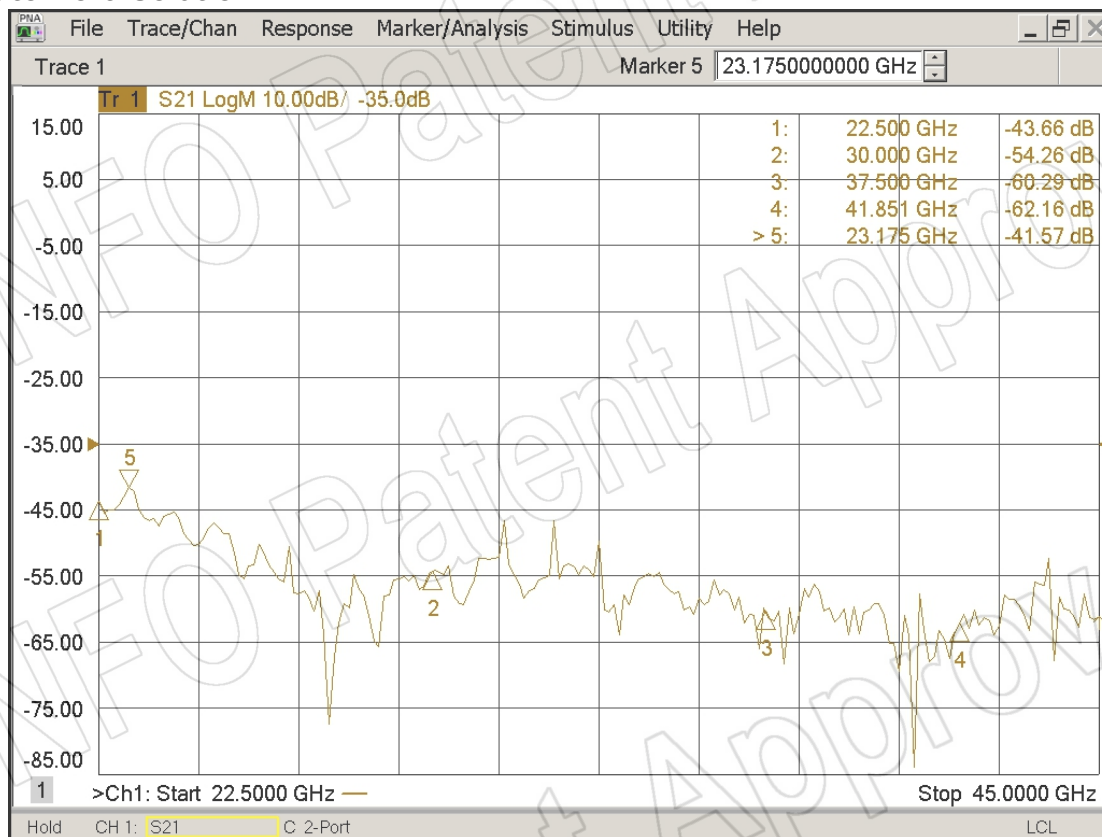
### 1. Gain & Antenna Factor



## 2. Cross Polarization Isolation

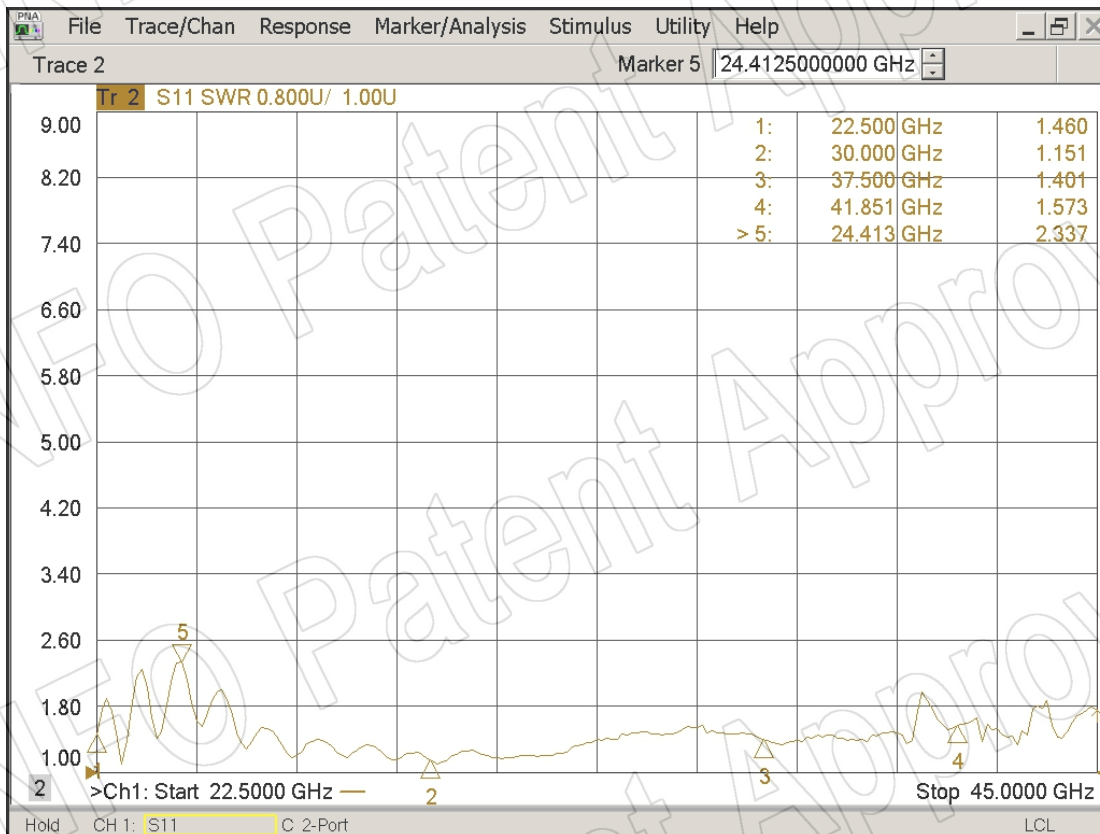


## 3. Port to Port Isolation

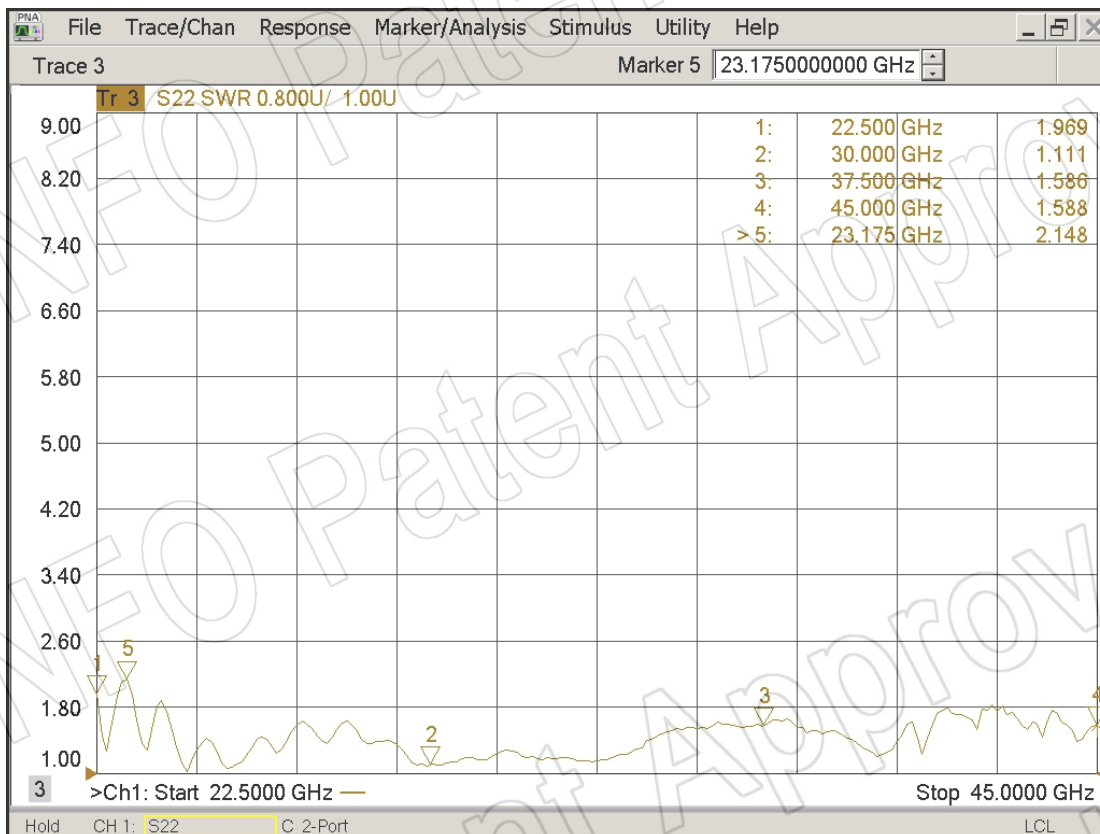


## 4. VSWR\_A Type

### Port-H

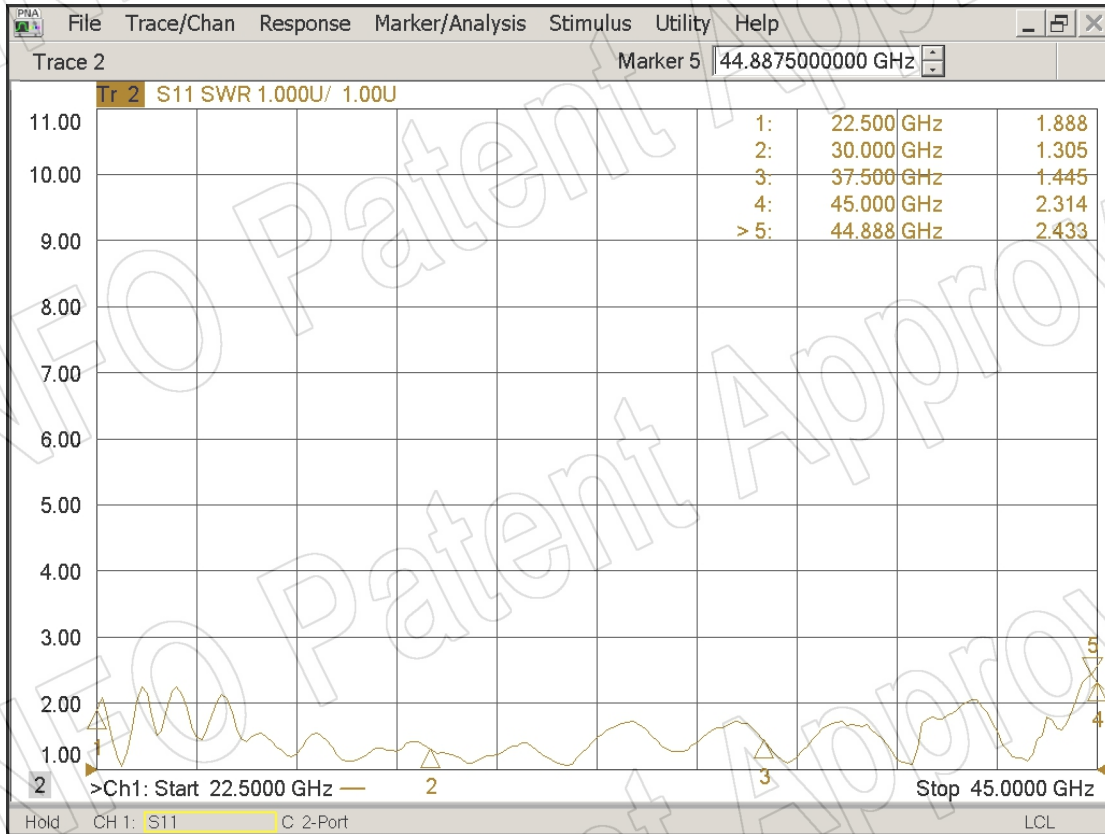


### Port-V

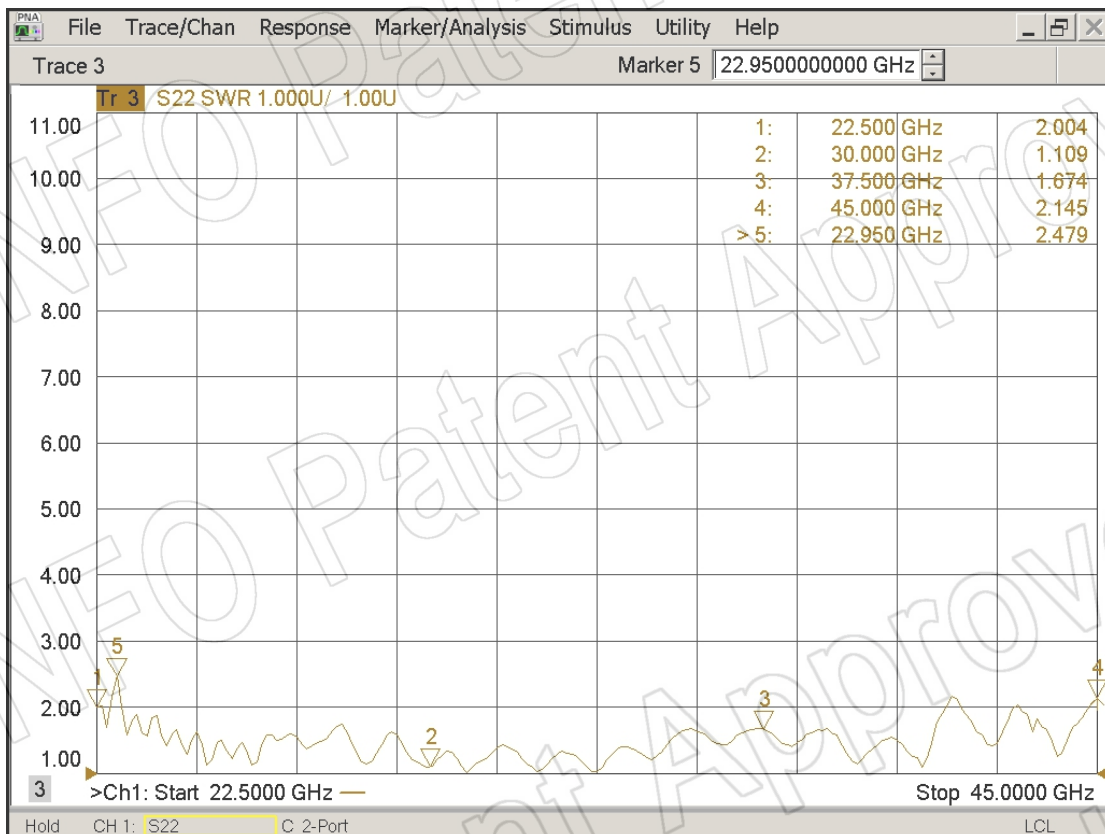


## VSWR\_C Type

### Port-H



### Port-V



## 5. Pattern

